

DS-2DY5223IW-AE 2 MP 23x Compact IR Positioning System

- 2 MP, 1920 x 1080
- 23x Optical Zoom, 16x Digital Zoom
- Ultra-Low Illumination
- Low Bit Rate, True WDR, Defog, Smart IR
- 3-D Intelligent Positioning
- Power-Off Memory, Proportional Zoom
- Analog/Network Dual Output
- Wiper
- Up to 492 ft (150 m) IR Distance
- IP66, 24 VAC, 45 W/Hi-PoE (Injector Included)



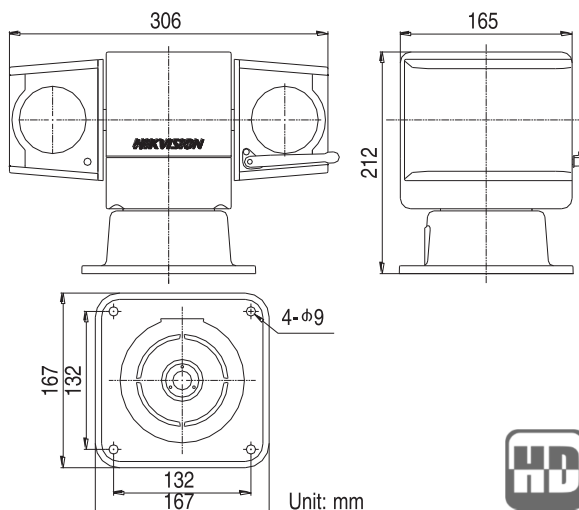
Hikvision's DarkFighter DS-2DY5223IW-AE Compact IR Positioning System is able to capture high quality images in dim light environments. The embedded 1/1.9" progressive scan CMOS sensor makes true WDR and 2 MP real-time resolution possible. With the 23x optical zoom Day/Night lens, the positioning

system offers more details over expansive areas.

The DS-2DY5223IW-AE also features Smart defog and EIS (Electronic Image Stabilization), which can further improve image quality in challenging conditions.

Available Models: DS-2DY5223IW-AE

Dimensions



Accessories



| DS-2DY5223IW-AE | |
|---------------------------|--|
| Camera Module | |
| Image Sensor | 1/1.9" progressive scan CMOS |
| Maximum Image Resolution | 1920 x 1080 |
| Minimum Illumination | Color: 0.002 lux @ f/1.5, AGC on; B/W: 0.0002 lux @ f/1.5, AGC on |
| Day/Night | ICR |
| Focus Mode | Auto/semiautomatic/manual |
| Shutter Speed | 1/1s to 1/10,000s |
| S/N Ratio | >52 dB |
| Digital Zoom | 16x |
| White Balance | Auto/manual/ATW/indoor/outdoor/daylight lamp/sodium lamp |
| AGC | Auto/manual |
| Lens | |
| Focal Length | 5.9 mm to 135.7 mm, 23x |
| Angle of View | 59.8° to 3.0° (wide to tele) |
| Minimum Working Distance | 10 mm to 1500 mm (wide to tele) |
| Aperture Range | f/1.5 to f/3.4 |
| Image | |
| Main Stream | 50 Hz: 25 fps (1920 × 1080), 25 fps (1280 × 720) 60 Hz: 30 fps (1920 × 1080), 30 fps (1280 × 720) |
| Sub Stream | 50 Hz: 25 fps (704 × 576), 25 fps (352 × 288), 25 fps (176 × 144) 60 Hz: 30 fps (704 × 480), 30 fps (352 × 240), 30 fps (176 × 120) |
| Image Compression | H.264 (baseline, main, high profile)/MJPEG |
| Audio Compression | G.711ulaw/G.711alaw/G.726/MP2L2/G.722/PCM |
| SVC | Supported |
| Protocols | IPv4/IPv6, HTTP, HTTPS, 802.1x, QoS, FTP, SMTP, UPnP, SNMP, DNS, DDNS, NTP, RTSP, RTP, TCP, UDP, IGMP, ICMP, DHCP, PPPoE |
| Standards | ONVIF, PSIA, CGI, Genetec |
| Others | Defog, EIS, privacy mask, 3D DNR, BLC, true WDR |
| Smart Features | |
| Smart Detection | Intrusion detection, line crossing detection, audio exception detection, region entrance detection, region exiting detection |
| ROI Encoding | Supports 12 areas with adjustable levels |
| Infrared | |
| IR Distance | Up to 492 ft (150 m) |
| IR Intensity | Automatically adjusted, depending on the zoom ratio |
| Pan and Tilt | |
| Movement Range | Pan: 360° endless, tilt: +90° to -90° |
| Movement Speed | Pan: 0.1° to 200°/s, tilt: 0.1° to 50°/s |
| Number of Presets | 300 |
| Patrols | 8 patrols, up to 32 presets per patrol |
| Patterns | 4 patterns, with the recording time not less than 10 minutes per pattern |
| Park | Supported |
| Proportional Zoom | Supported |
| PTZ Position Display | On/off |
| Simultaneous Live Views | Up to 20 users |
| System Integration | |
| Menu | English |
| 3-D Positioning | Supported |
| Preset Freezing | Supported |
| Scheduled Task | Supported |
| Alarm I/O | 7 alarm inputs, 2 alarm outputs |
| Ethernet | 1 RJ-45 10M/100M Ethernet interface |
| CVBS Output | 1.0 V[p-p]/75Ω, NTSC (or PAL) composite, BNC |
| RS-485 | Half duplex, HIKVISION, Pelco-P, Pelco-D, self-adaptive |
| Onboard Storage | Built-in microSD/SDXC card slot, up to 128 GB, manual/alarm recording, ANR |
| Simultaneous Live Views | Up to 20 |
| User/Host Level | Up to 32 users, 3 levels: administrator, operator, and user |
| General | |
| Power | Hi-PoE and 24 VAC, maximum 45 W |
| Working Temp./Humidity | -40° C to 65° C, humidity 90% or less |
| Protection Levels | IP66 standard, TVS 6,000 V lightning protection, surge protection, and voltage transient protection |
| Dimensions | 12.05" x 6.57" x 8.35" (306 mm x 167 mm x 212 mm) |
| Weight (approximate) | 17.2 lbs (7.8 kg) |